



R16YL

IMPORTANT SAFETY RECALL NOTICE

**NHTSA Recall Number: 16V-100 School Bus
NHTSA Recall Number: 16V-101 Non-School Bus**

March 10, 2016

Dear Blue Bird Owner:

Subject: RECALL R16YL, Vision Starter Cable Routing W/CAT C707 Engines

This important safety recall notice applies to your bus(es) identified by both Blue Bird Body Number and Vehicle Identification Number (VIN) on the enclosed yellow cover sheet.

This notice is sent to you in accordance with the requirements of the National Traffic and Motor Vehicle Safety Act.

Blue Bird Body Company has decided that a defect which relates to motor vehicle safety exists in certain 2008 and 2009 model year Vision model school and non-school bus units equipped with CAT C707 Engines. The manufactured dates range from May 10, 2007, through March 5, 2008.

On certain buses, the positive starter cable may be routed incorrectly, and as a result a smaller 4 gauge battery cable may be damaged due to high current draw during cranking. To correct this condition, the starter cable should be relocated, if necessary, from the Electrical Power Stud to the Chassis Power Stud. The battery cable should also be inspected for any damage and if necessary replace the damaged cable according to the instructions provided in Recall Campaign R16YL. Parts are anticipated to be available on or about March 25, 2016, at no cost to you.

Your Blue Bird bus(es) affected by this recall are identified by both Blue Bird Body Number(s) and Vehicle Identification Number(s) (VIN) on the enclosed yellow reply sheets. If you no longer own the subject bus(es), please complete the appropriate section of the yellow reply sheet and return to Blue Bird in the enclosed pink postage prepaid envelope.

Blue Bird recommends that you contact your local or nearest Blue Bird Dealer to arrange for this recall to be performed. The Dealer can perform the repairs, or arrange for repairs to be performed by a service repair facility authorized by the Dealer. However, you may elect to perform this recall yourself or pay another independent repair facility to perform this recall. A qualified technician should perform this recall.

If you elect to perform this recall yourself or pay another independent repair facility to perform this recall, complete and submit the Pink Owner's Recall Reply Sheet provided. The Reply Sheet includes a section for the owner to request reimbursement of the owner's labor or to request reimbursement for a labor invoice paid by the owner to an independent repair facility.

BLUE BIRD BODY COMPANY
P.O. Box 937 – 402 Blue Bird Blvd – Fort Valley, Georgia – (478) 825-2021



BLUE BIRD

Blue Bird Body Company

Page 2

R16YL

The Owner's Inspection Reply Sheet can be mailed in the postage prepaid envelope provided, faxed to 478-822-2467, or e-mail copies of the supporting documents to lisa.hancock@blue-bird.com

Of course, if your Blue Bird Dealer performs the recall or arranged for repairs to be performed by a service facility authorized by the Dealer, the Blue Bird Dealer will notify Blue Bird about the completion of the recall.

Parts to complete Recall R16YL must be obtained from Blue Bird Recall Administration via e-mail. Please scan a copy of the completed Recall Inspection Reply Sheet and e-mail to campaignparts@blue-bird.com . Parts are anticipated to be available on or about March 25, 2016. Owners are being advised to contact their local dealer or to return the Recall Inspection Reply Sheet to Blue Bird in the pink, self-addressed, postage prepaid envelope. Be sure to provide a valid shipping address as UPS does not deliver to post office boxes. You should retain a copy of the reply sheet for your records.

Labor Times:

- 0.5 hours to relocate the cable and inspect the 4 gauge power cable
- Kit A
 - 0.6 hours to replace the 4 gauge power cable without battery disconnect
 - 0.5 hours to relocate the cable and inspect the 4 gauge power cable
 - Total Time: 1.1 hours
- Kit B
 - 0.9 hours to replace the 4 gauge power cables with battery disconnect
 - 0.5 hours to relocate the cable and inspect the 4 gauge power cable
 - Total Time: 1.4 hours

If the modifications directed by this notification were performed on your bus prior to the receipt of this recall notification, complete and sign the recall reply sheet and attach a copy of the work order/invoice. Mail the documents in the **pink** self-addressed postage prepaid envelope included with the pink coversheet to Blue Bird for warranty consideration. Reimbursements will be made in accordance with the requirements of the National Highway Transportation Safety Act, Title 49 Code of Federal Regulations, Parts 573 and 577.

Federal law requires that any vehicle lessor receiving this recall notice must forward a copy of this notice to the lessee within ten days.



BLUE BIRD

Blue Bird Body Company

Page 3

R16YL

If Blue Bird Body Company should fail to or is unable to remedy this condition without charge to you, you may contact:

**ADMINISTRATOR
NATIONAL HIGHWAY TRAFFIC SAFETY ADMINISTRATION
1200 NEW JERSEY AVENUE, SE
WASHINGTON, D.C. 20590**

Or, you may call The National Highway Traffic Safety Administration toll free at:
1-888-327-4236 TTY 1-800-424-9153 or go to: <http://www.safercar.gov>

Questions regarding this recall campaign should be directed to me at (478) 822-2242 or lisa.hancock@blue-bird.com.

Sincerely,

Lisa Hancock

Lisa Hancock
Corporate Recall Administrator
Blue Bird Body Company



Vision Starter Cable Routing

RECALL

Models Affected: 2008-2009 BBCV Visions with Caterpillar C707 Engines

ISSUE

Starter cable may have been installed on the incorrect power stud which could cause the 4 gauge cable to be compromised during cranking process.

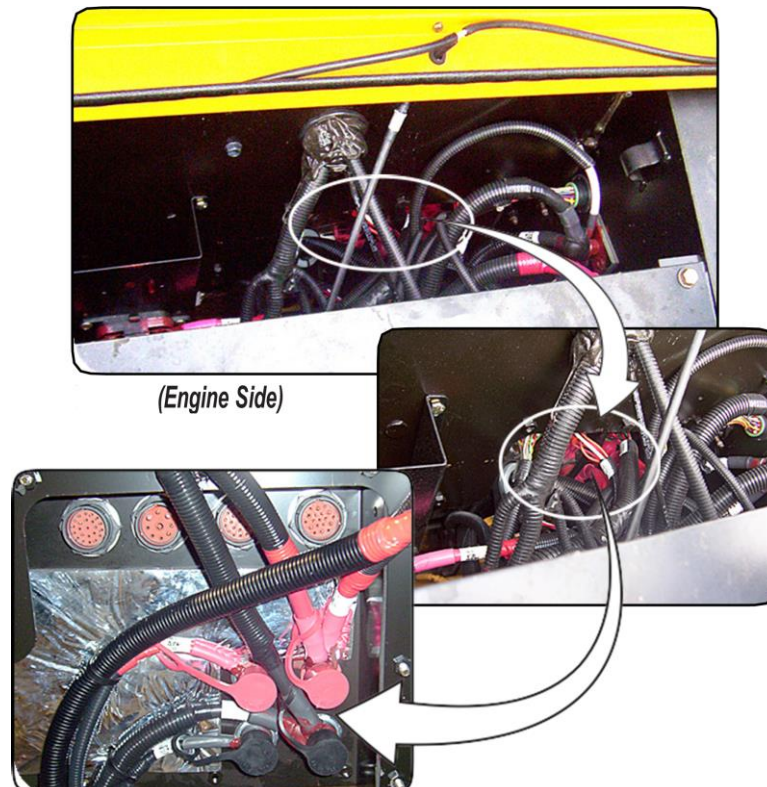
CORRECTIVE ACTION

If starter cable is installed incorrectly, relocate starter cable from Electrical Power Stud to Chassis Power Stud. Inspect 4 gauge battery cable from Electrical Power Stud to battery for any damage and replace any damaged cable.

PROCEDURE

WARNING: Always follow all Federal, State, Local and Shop safety standards and use proper safety equipment, and thoroughly read and understand all instructions before performing these procedures.

1. Park vehicle on a level surface, apply parking brake, turn engine off, remove ignition key, and chock wheels.
2. Disconnect batteries.
3. Open engine hood and locate the Chassis Power and Electrical Power Studs.



R I 6 Y L

RECALL CAMPAIGN

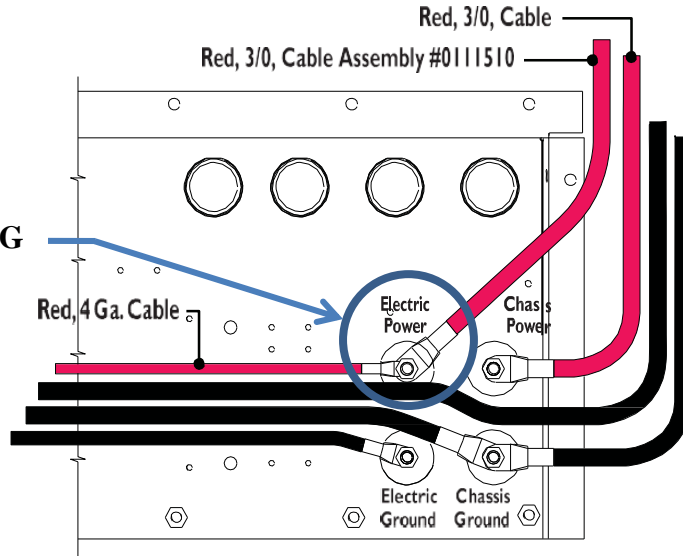


Vision Starter Cable Routing

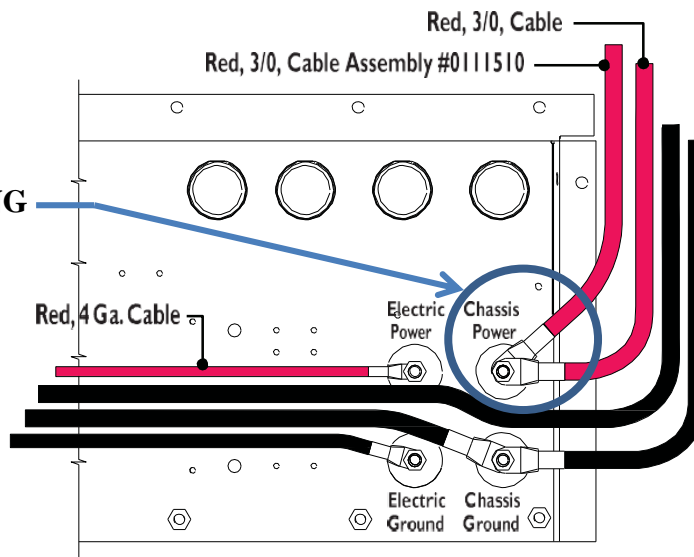
RECALL

- The lower end of Cable Assembly 0111510 should be attached to the Chassis Power Stud. If the cable is in this location, no further action required. If the lower cable end is attached to the Electrical Power Stud, remove it and attach it to the Chassis Power Stud. (See figures below)
- Tighten both stud nuts to 11-15 ft.lbs. and apply a corrosion protection such as red glyptal.

INCORRECT ROUTING



CORRECT ROUTING



R I 6 Y L

RECALL CAMPAIGN



Vision Starter Cable Routing

RECALL

6. If the cable was installed on the incorrect stud, inspect the red 4 gauge battery cable from the Electric Power Stud to the battery for any damage to the insulation or cable. If the cable has any damage, replace cable.
 Note: If the bus is equipped with a battery disconnect switch, inspect red 4 gauge cable from Electric Power Stud to battery disconnect switch and from the switch to the battery. If the cables have any damage, replace cables.
7. To replace cable(s), remove nut at the Electric Power Stud, cut plastic cables ties and remove cable(s). The cable ties also support and secure other cables and harnesses. Be careful not to damage these components when cutting the cable ties.
8. Route new cable(s) in the same location as the old cable(s). Secure new cable(s) along with other cables and harnesses that were originally secured.
9. Tighten the stud nut at the Electric Power Stud to 11-15 ft.lbs. Tighten the connection at the battery per battery manufacturers' specification. If the bus has a battery disconnect switch, tighten the nut on the 10-32 stud on the battery disconnect switch to 14 in.lbs.
10. Reconnect the batteries.
11. Remove chocks and place bus back in service.

Without Battery Disconnect Switch Kit A		
Part Number	Description	Quantity
00085568	Cable, Assy, Bat, POS to PDU Elec Group 1150	1
00029999	Tie, Cable, 120 lb. 15.25L	3
00029998	Tie Cable, 250 lb.	5
With Battery Disconnect Switch Kit B		
Part Number	Description	Quantity
00074377	Cable, Bat, POS to BAT/Disc, 4GA, H/D Box BBCV	1
00074379	Cable Assy, Battery, Disc to Elec Stud, BBCV	1
00029999	Tie, Cable, 120 lb. 15.25L	3
00029998	Tie, Cable, 250 lb.	7

R I 6 Y L
- R E C A L L C A M P A I G N -