



BLUE BIRD

S16YU

September 1, 2016

To: Blue Bird Owner

Subject: S16YU, Rear Air Disc Brake Axle Shaft Flange Gasket Replacement
S16YU Replaces S16YN

Models Affected: Model Year: Certain 2015-2017
Model: Vision and All American
School Bus and Non-School Bus

Bulletin Duration: One (1) Year from Date of Issue

Overview:

Certain model year 2015-2017 Vision and All American School Buses manufactured from November 15, 2013 through August 3, 2016 and certain model year 2015-2017 Vision and All American Non-School Buses manufactured from July 20, 2014 through May 21, 2016 equipped with optional Air Disc Brakes will require replacement of both existing rear axle shaft flange gasket with a new gasket. The new rear axle shaft flange gasket reduces the possibility for oil leaking between the axle shaft and hub. *Note: Service Bulletin Campaign S16YU replaces S16YN.*

Affected Units:

On the subject buses, the possibility exists for an oil leak between the axle shaft and hub. To correct this it is necessary to replace both existing rear axle flange gaskets with new gaskets.

Repair Parts:

The Parts List outlined on Page 3 of the Instructions details the parts required to perform Service Bulletin S16YU and should be ordered through your **Blue Bird Dealer**. **Parts have an expected availability of October 10, 2016.**

Time Allowance:

Time allowed for Replacement of Gasket on Both Sides is 1.4 hours.

BLUE BIRD BODY COMPANY

P.O. Box 937 – 402 Blue Bird Blvd – Fort Valley, Georgia – (478) 825-2021

Completion Notification:

If you perform this service bulletin yourself or have an outside repair facility perform this bulletin, please notify your Blue Bird Dealer when the repair is completed. Send the body number, repair date, and odometer reading to your Blue Bird Dealer. If you request reimbursement for labor, also send a copy of the work order/invoice to your Blue Bird Dealer.

If the modification directed by this notification was performed on your unit prior to the receipt of this notification, you may be eligible to receive reimbursement for the cost of obtaining a pre-notification remedy of the subject matter of the campaign. Please provide a copy of all receipts to your Dealer for reimbursement.

Bulletin Duration:

This Service Bulletin ends one (1) year from date of issue.

Repair Facility:

We encourage you to contact your Blue Bird dealer to arrange to have this Service Bulletin performed. However, you may elect and have the option to perform this Service Bulletin yourself or have a qualified repair facility convenient to you perform this work. A qualified technician must perform work required under this bulletin.

Questions:

Questions regarding this bulletin should be directed to your Blue Bird Field Service Engineer.

Regards,

Lisa Hancock

Lisa Hancock
Engineering Services
402 Blue Bird Blvd.
Fort Valley, GA 31030
Phone: 478-822-2242
lisa.hancock@blue-bird.com





Rear Air Disc Brake Axle Shaft Flange Gasket Replacement

BULLETIN

S16YU REPLACES S16YN

Models Affected: 2015 through 2017 Vision and All American with Air Disc Brakes

ISSUE

Rear axle shaft flange gasket torque relaxes allowing for possible oil leak between the axle shaft and hub.

CORRECTIVE ACTION

Replace the existing rear axle flange gasket with a new gasket and with new star washers. If the original locking nut has not been replaced with a new non-locking nut, replace locking nuts with non-locking nuts.

PROCEDURE

WARNING: Always follow all Federal, State, Local and Shop safety standards and use proper safety equipment, and thoroughly read and understand all instructions before performing these procedures.

GASKET AND WASHER REPLACEMENT PROCEDURE

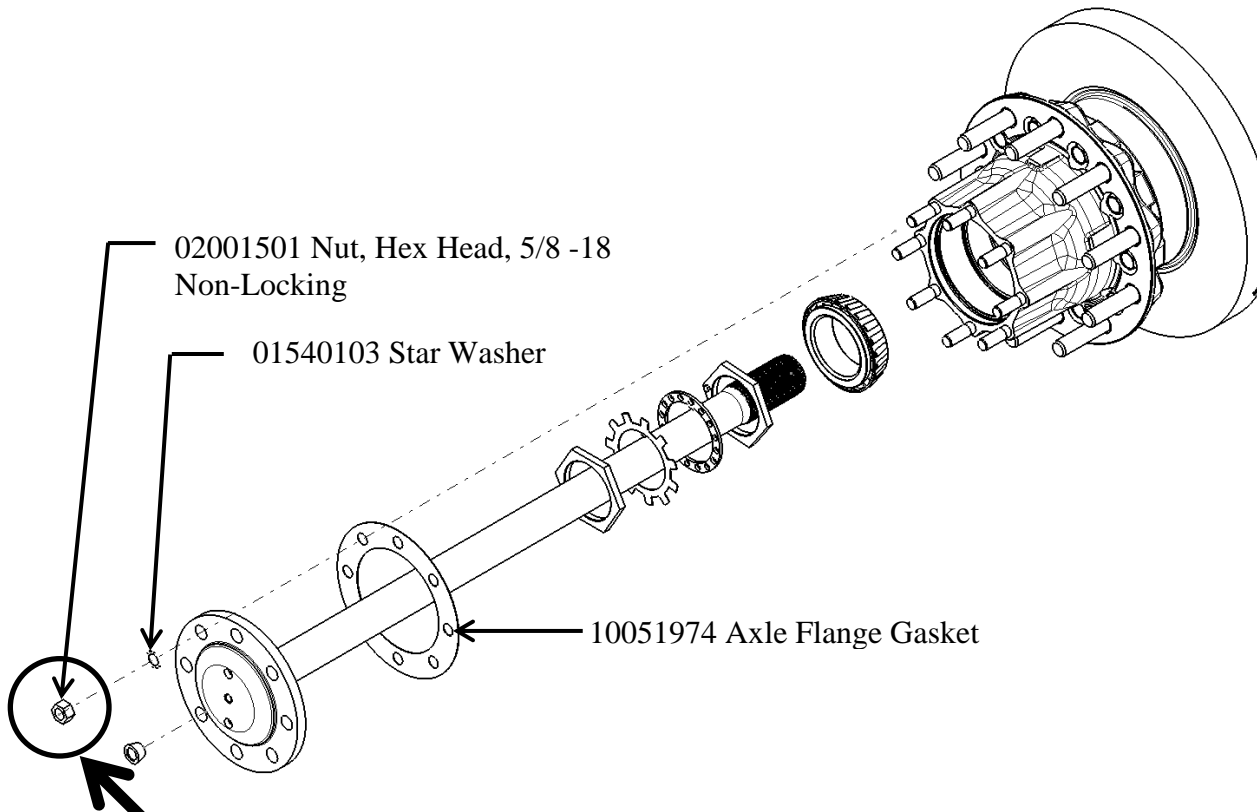
1. Park bus on level surface, turn off engine, remove ignition key, and chock wheels.
2. To reduce the possibility of the stud being removed when removing nuts with paint, remove the paint from the existing rear axle shaft flange studs.
3. Remove all (8) eight nuts and star washers on both sides. Replace existing axle flange gasket with new 10051974 gasket on both sides and install axle shaft. If a stud comes out during removal of nut, remove the nut from the stud and reinstall the stud into the hub. Torque stud to 60 to 70 ft-lb.
4. If the bus has the original locknuts, replace with new non-locking nuts. Install eight (8) new star washers 01540103 and eight (8) non-locking nuts 02001501 (removed from axle studs) on both sides.
5. Torque nuts to 60-70 ft-lb.
6. Re-torque all nuts to 170-180 ft-lb. in a “star” pattern.

S16YU

S E R V I C E B U L L E T I N

Rear Air Disc Brake Axle Shaft Flange Gasket Replacement

REAR AIR DISC BRAKE



02001501 Nut, Hex Head, 5/8 -18
Non-Locking

01540103 Star Washer

10051974 Axle Flange Gasket



Non-locking nut 02001501

If there are locknuts on the rear axle studs, remove and discard lock nuts and washers.



Rear Air Disc Brake Axle Shaft Flange Replacement

BULLETIN

PARTS LIST FOR REPLACING BOTH GASKETS

PART NUMBER	DESCRIPTION	QUANTITY
10051974	GASKET	2
01540103	WASHER,STAR, .62 , ZINC PLATED	16

PARTS LIST FOR REPLACING BOTH GASKETS AND ALL NUTS

PART NUMBER	DESCRIPTION	QUANTITY
02001501	NUT,HEX HD,5/8-18 YEL ZN DICH	16
01540103	WASHER,STAR, .62 , ZINC PLATED	16
10051974	GASKET	2

S I 6 Y U

S E R V I C E B U L L E T I N